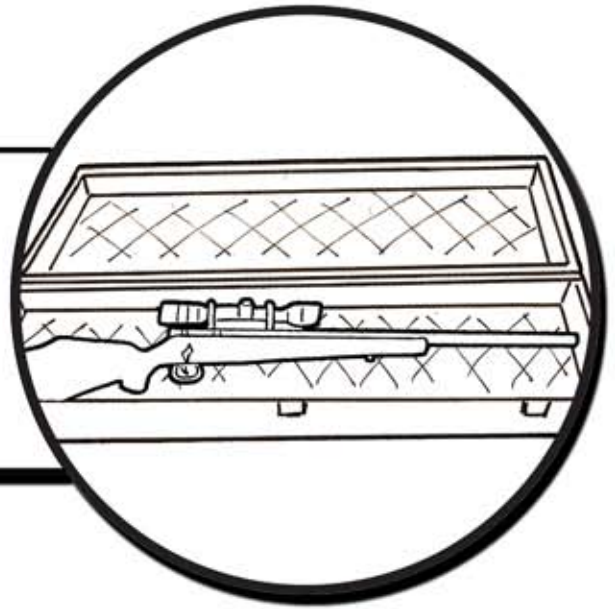


# Transporting firearms



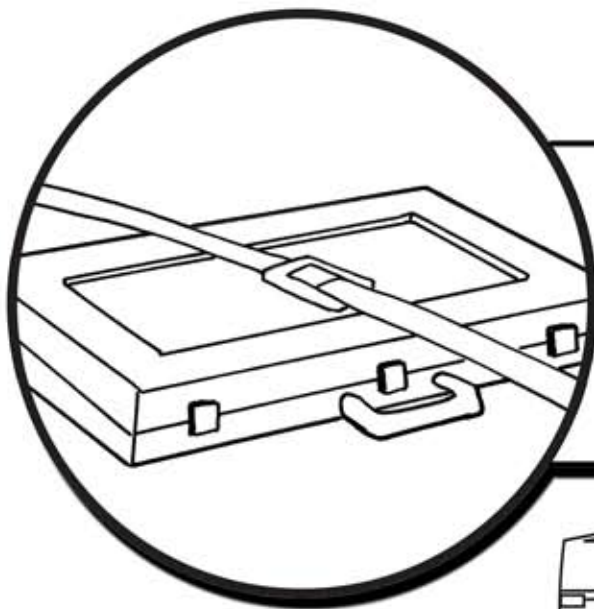
## Step 1.

Unload your gun, set the safety, and open the action.



## Step 2.

Place your gun inside a gun case or gun sock.



## Step 3.

Secure your gun and other equipment so it doesn't slide.

