



### Pivot Safety

A pivoting lever that blocks the trigger or firing pin.

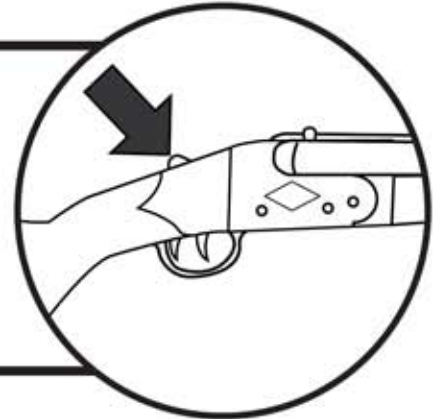
Commonly used on handguns.



### Slide Safety

A sliding bar that blocks the firing action.

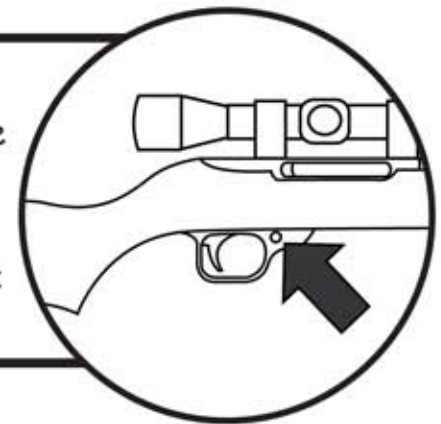
Commonly used on break action shotguns.



### Cross-Bolt Safety

A push button bar that blocks the trigger or firing pin.

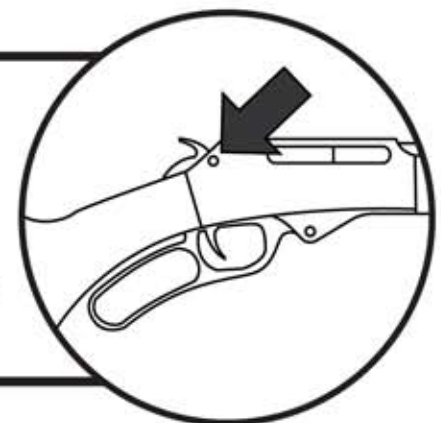
Commonly used on semi-automatic or pump firearms.



### Half-Cock Safety

Positions the hammer at half-cock.

Commonly used on firearms with exposed hammers.



Common safety types and locations.